



Modular Brooms

Pro-Broom SPB-600; SPB-720

Mega-Broom SMB-600; SMB-720; SMB-960

ValuSweep® VSB-048; VSB-060

Parts List

TABLE OF CONTENTS

MODULAR BROOMS

Pro-Broom SPB-600/SPB-720.....	4
Mega-Broom SMB-600/SMB-720/SMB-960	5
ValuSweep® Broom VSB-048/VSB-060.....	6

HITCH KITS

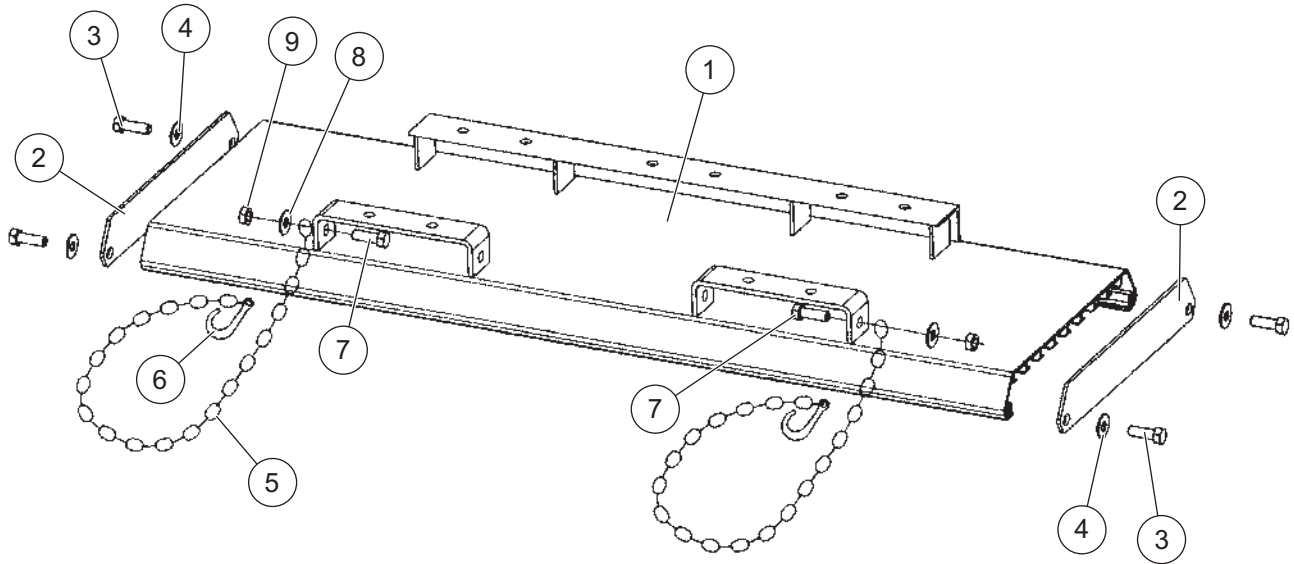
Skid Steer Push Hitch Kit SSH-175-1 – Pro-Broom and Mega-Broom Series.....	7
Skid Steer Hitch Adapter 75105 – Mega-Broom Series	7
Fork Hitch Kit FLH-200 – Mega-Broom Series.....	8

ACCESSORIES

Debris Collector Ends Kit DCE-020-1 – Pro-Broom and Mega-Broom Series	9
Other Accessory Kits.....	9

Pro-Broom SPB-600/SPB-720

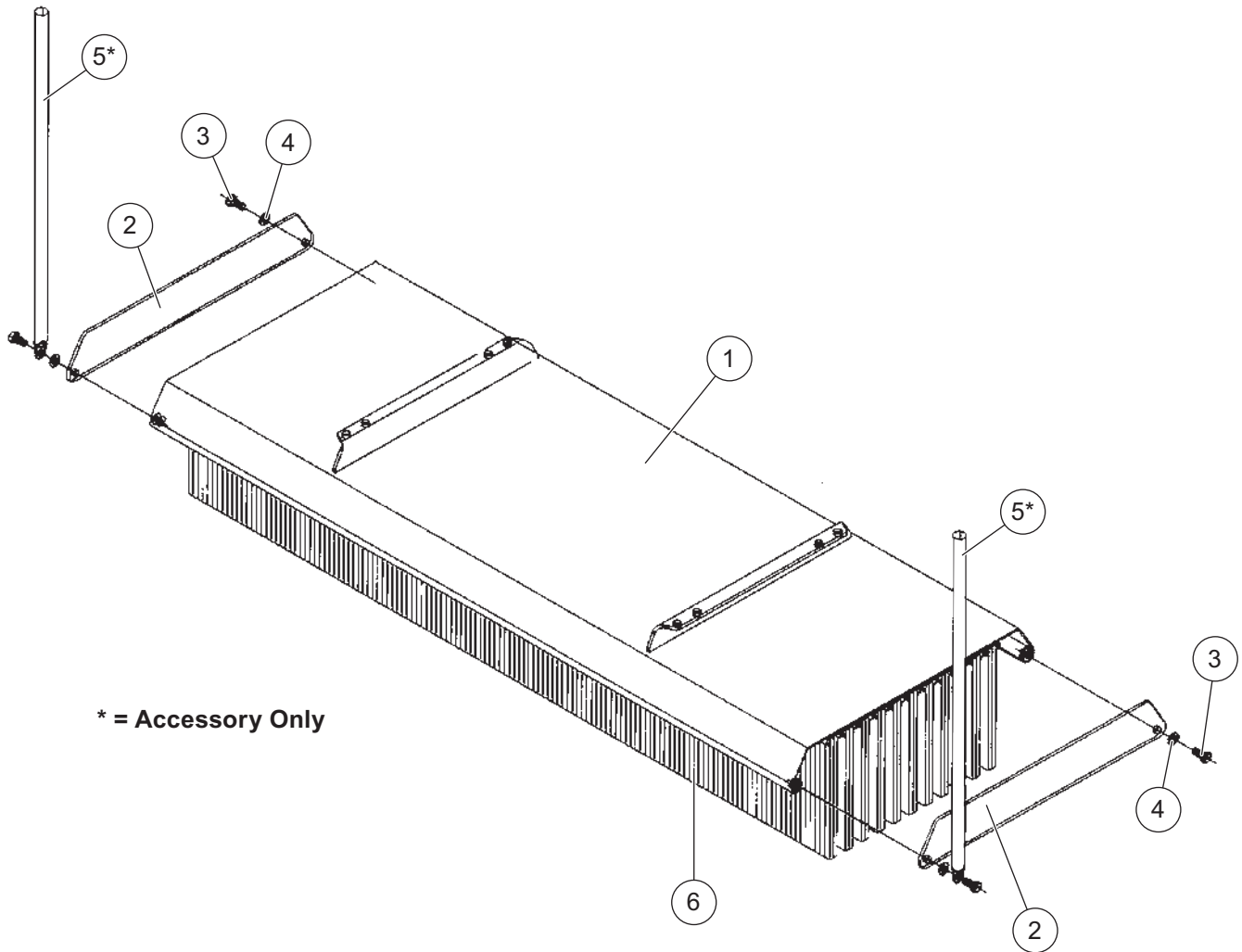
Pro-Broom Assembly



SPB-600/SPB-720 Pro-Broom							
Item	Part	Qty	Description	Item	Part	Qty	Description
1	D4202	1	60" Pro Mainframe	6	D4131	2	1/4 Clevis Grab Hook
	D4203	1	72" Pro Mainframe	7	D4122-1	2	3/8-16 x 1-1/2 Hex Cap Screw (pkg of 5)
2	D4171	2	End Caps	8	D4125-1	2	3/8 Flat Washer (pkg of 5)
3	D4242-1	4	1/2-13 x 1 Button-Head Socket Cap Screw (pkg of 4)	9	D4124-1	2	3/8-16 Hex Locknut (pkg of 5)
4	D4118-1	4	1/2 Lock Washer (pkg of 5)	ns	PBK-600	1	60" Pro Bristle Kit (set of 8)
ns	D4243	1	5/16 Hex Key	ns	PBK-720	1	72" Pro Bristle Kit (set of 8)
5	D4138	2	1/4 x 60 Chain G30				
G = Grade				ns = not shown			

Mega-Broom SMB-600/SMB-720/SMB-960

Mega-Broom Assembly



* = Accessory Only

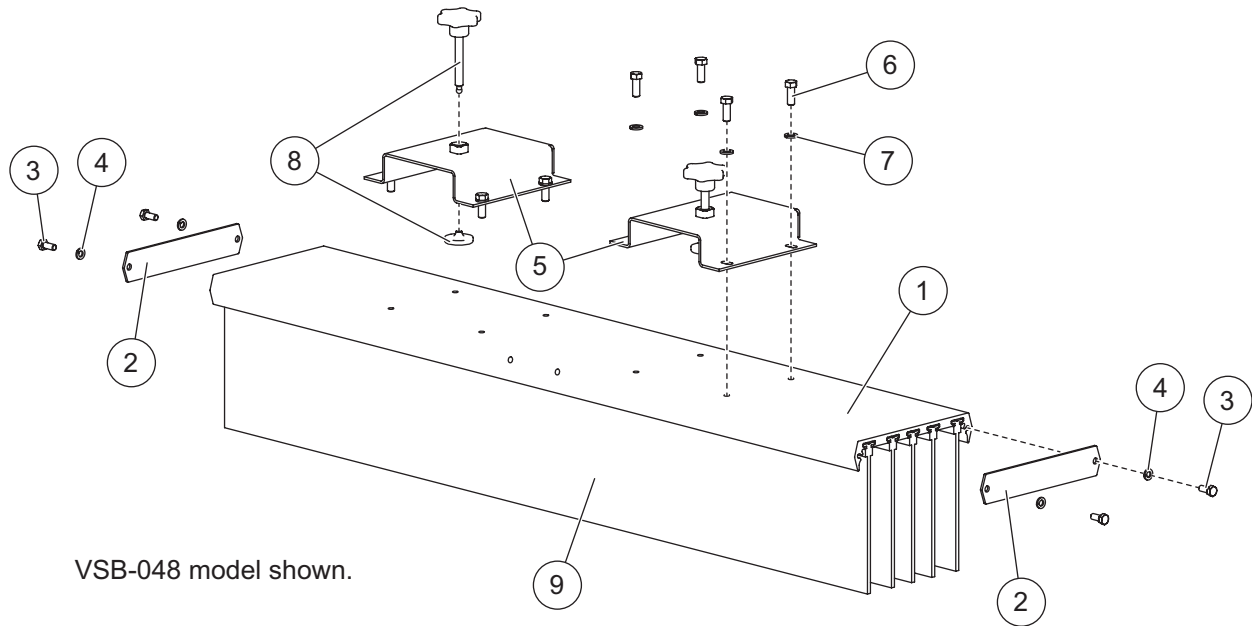
SMB-600/SMB-720/SMB-960 Mega-Broom							
Item	Part	Qty	Description	Item	Part	Qty	Description
1	D4200	1	60" Mega Mainframe	4	D4118-1	4	1/2 Lock Washer (pkg of 5)
	D4225	1	72" Mega Mainframe	ns	D4243	1	5/16 Hex Key
	D4229	1	96" Mega Mainframe	5	EDG-020*	1	Broom Guide Kit (set of 2)
2	D4167	2	End Cap	6	MBK-360†	1	36" Mega Bristle Kit (set of 11)
3	D4242-1	4	1/2-13 x 1 Button-Head Socket Cap Screw (pkg of 4)		MBK-600†	1	60" Mega Bristle Kit (set of 11)
					MBK-720	1	72" Mega Bristle Kit (set of 11)
ns = not shown							

* Accessory only.

† SMB-960 Mega-Broom uses both 36" and 60" broom sections.

ValuSweep® Broom VSB-048/VSB-060

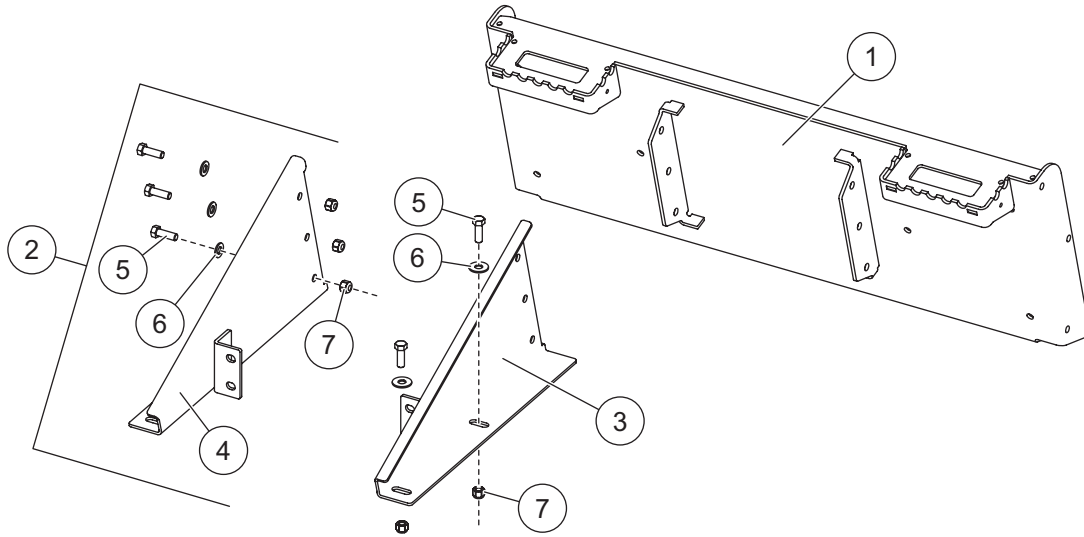
ValuSweep Broom Assembly



VSB-048/VSB-060 ValuSweep Broom							
Item	Part	Qty	Description	Item	Part	Qty	Description
1	D4304	1	48" Aluminum Hood Section	5	D4311	2	Fork Lift Pocket
	D4305	1	60" Aluminum Hood Section	6	D4121-1	8	3/8-16 x 1 Hex Cap Screw (pkg of 5)
2	D4306	2	End Cap	7	D4313-1	8	3/8 Lock Washer (pkg of 5)
3	D6133-1	4	5/16-18 x 1-1/2 Hex Cap Screw (pkg of 5)	8	D4315	2	Lock Knob Assembly
4	D6155-1	4	5/16 Lock Washer (pkg of 5)	9	VBK-048	1	48" Replacement Brush Kit (set of 5)
					VBK-060	1	60" Replacement Brush Kit (set of 5)

Skid Steer Push Hitch Kit SSH-175-1; SS Hitch Adapter 75105

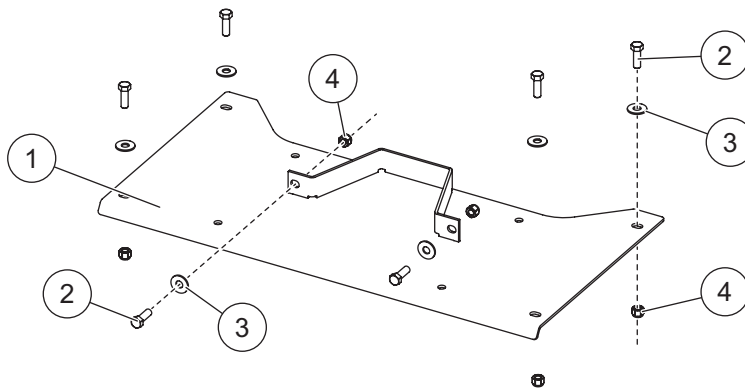
Skid Steer Push Hitch (Pro-Broom & Mega-Broom* Series)



SSH-175-1 Skid Steer Push Hitch Kit – Pro-Broom & Mega-Broom*							
Item	Part	Qty	Description	Item	Part	Qty	Description
1	75425	1	Skid Steer Mount	2	75426	1	Mount Arm Kit
Item 2				75426 Mount Arm Kit			
3	75112	1	Mount Arm, Left	6		10	1/2 Flat Washer, Type A Wide
4	75113	1	Mount Arm, Right	7		10	1/2-13 Hex Locknut GB
5		10	1/2-13 x 1-1/2 Hex Cap Screw G5				
G = Grade							

* Mega-Broom installation requires Skid Steer Hitch Adapter, shown below.

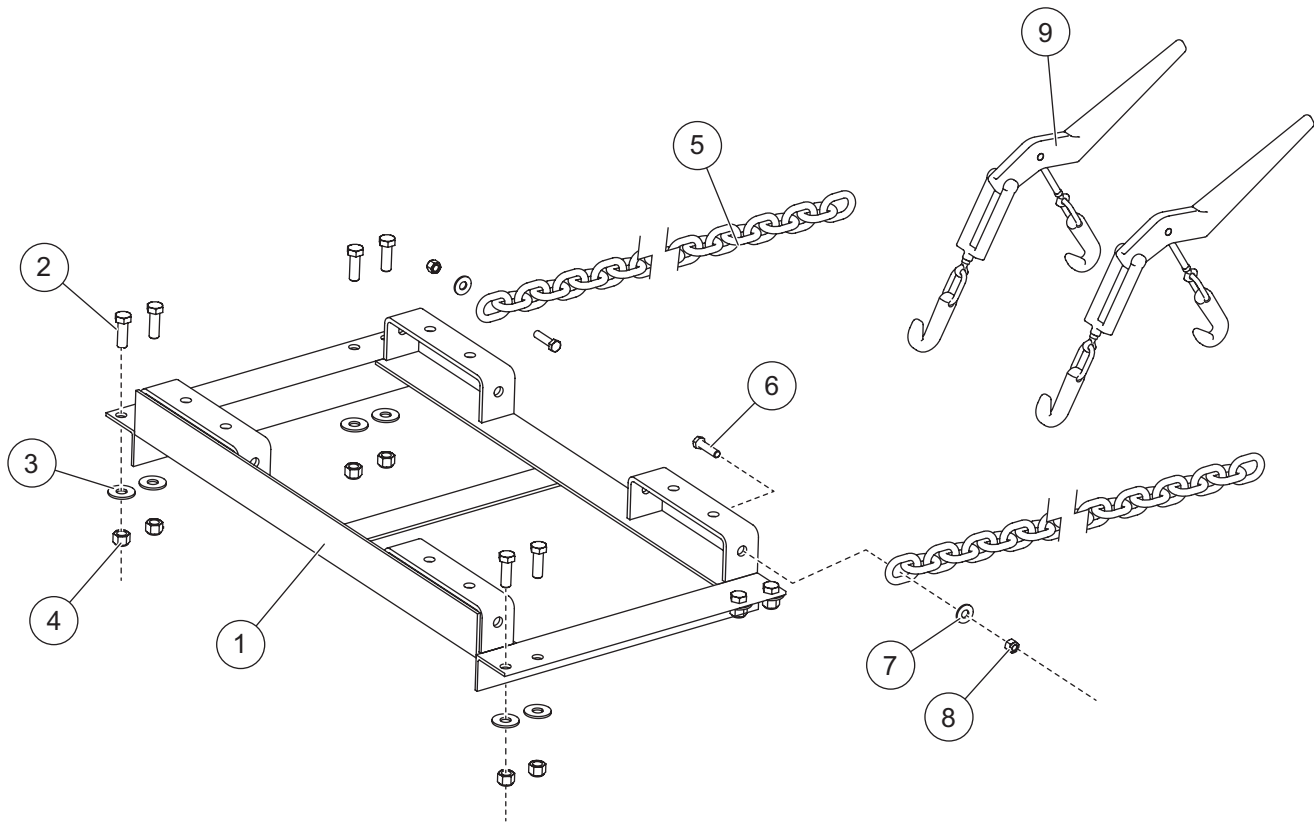
Skid Steer Hitch Adapter (Mega-Broom Series Only)



75105 Skid Steer Hitch Adapter – Mega-Broom							
Item	Part	Qty	Description	Item	Part	Qty	Description
1	75103	1	Adapter Assembly	ns	75104	1	Bolt Bag
Item 2				75104 Bolt Bag			
2		6	1/2-13 x 1-1/2 Hex Cap Screw G5	4		6	1/2-13 Hex Locknut GB
3		6	1/2 Flat Washer Type A Wide				
ns = not shown				G = Grade			

Fork Hitch Kit FLH-200

Fork Hitch Kit (Mega-Broom Series Only)

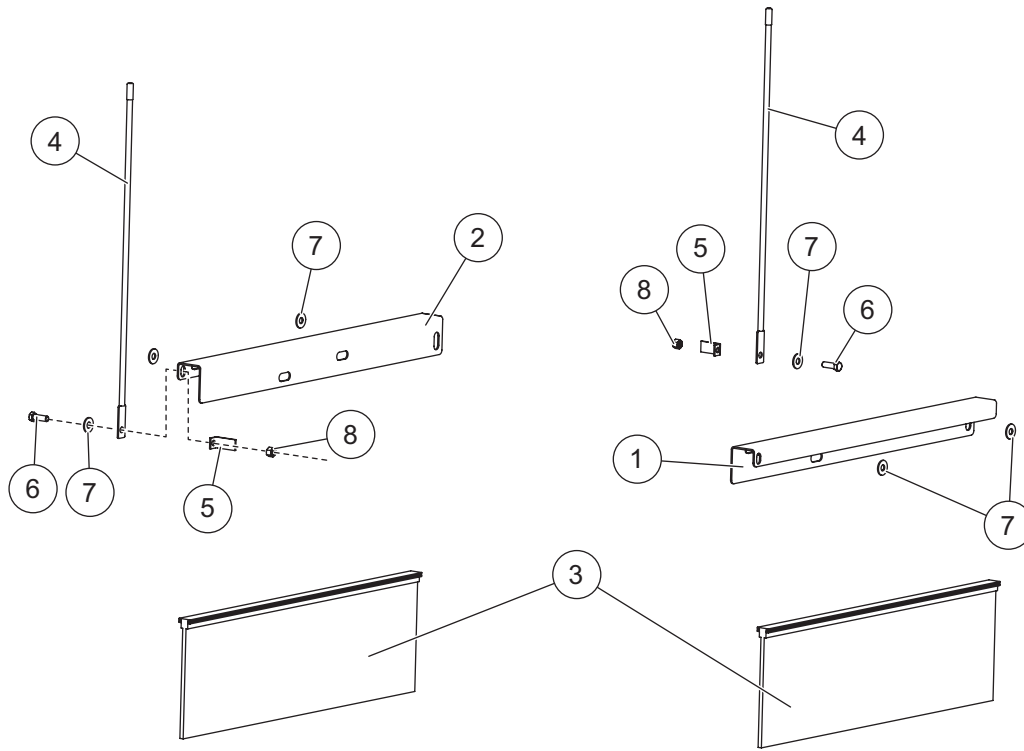


FLH-200 Fork Hitch Kit							
Item	Part	Qty	Description	Item	Part	Qty	Description
1	D4160	1	Forklift Mount Module	6	D4122-1	2	3/8-16 x 1-1/2 Hex Cap Screw (pkg of 5)
2	D4116-1	8	1/2-13 x 1-1/2 Hex Cap Screw (pkg of 5)	7	D4125-1	2	3/8 Flat Washer (pkg of 5)
3	D4119-1	8	1/2 Flat Washer (pkg of 5)	8	D4124-1	2	3/8-16 Hex Locknut (pkg of 5)
4	D4120-1	8	1/2-13 Hex Locknut (pkg of 5)	9	D4140	2	1/4 Chain Binders
5	D4139	2	1/4 x 84 Chain G30				

G = Grade

Accessory Kits

Debris Collector Ends Kit (Pro-Broom & Mega-Broom Series)



DCE-020-1 Debris Collector Ends Kit						
Item	Part	Qty	Description	Item	Part	Qty Description
1	D4283	1	Debris Collector Rail – DS	6	D4116-1	2 1/2-13 x 1-1/2 Hex Cap Screw G5
2	D4284	1	Debris Collector Rail – PS	7	D4119-1	6 1/2 Flat Washer
3	D4183	2	11 x 36 Bristle Component, Red	8	D4120-1	2 1/2-13 Locknut
4	EDG-020	1	Broom Guide Kit (set of 2)	ns	D4243	1 5/16 Hex Key, Short Arm
5	D4277	2	Bristle Retainer Clip			
			G = Grade	ns = not shown		

Other Accessory Kits (Not Shown)				
Kit No.	Description	Pro-Broom Models	Mega-Broom Models	ValuSweep® Models
EDG-020	Broom Guide Kit (set of 2)	SPB-600, SPB-720	SMB-600, SMB 720, SMB 960	–
VMB-048-1	ValuMagnet Kit 48"	–	–	VSB-048
VMB-060-1	ValuMagnet Kit 60"	–	–	VSB-060
HDM-060-1	Heavy-Duty Magnet Kit 60"	SPB-600	SMB-600	–
HDM-072-1	Heavy-Duty Magnet Kit 72"	SPB-720	SMB-720	–
DMP-060-1	Dust Mop 60"	–	–	VSB-060



TrynEx International, LLC
531 Ajax Drive
Madison Heights, MI 48071-2429
www.snowexproducts.com

 A DIVISION OF DOUGLAS DYNAMICS, LLC

Copyright © 2018 Douglas Dynamics, LLC. All rights reserved. This material may not be reproduced or copied, in whole or in part, in any printed, mechanical, electronic, film, or other distribution and storage media, without the written consent of TrynEx International. Authorization to photocopy items for internal or personal use by TrynEx International outlets or broom owner is granted.

TrynEx International reserves the right under its product improvement policy to change construction or design details and furnish equipment when so altered without reference to illustrations or specifications used. TrynEx International or the vehicle manufacturer may require or recommend optional equipment for snow removal. Do not exceed vehicle ratings with a broom. TrynEx International offers a limited warranty for all brooms and accessories. See separately printed page for this important information. The following are registered (®) or unregistered (™) trademarks of Douglas Dynamics, LLC: SweepEx®, TrynEx®, ValuSweep®.

Printed in U.S.A.