

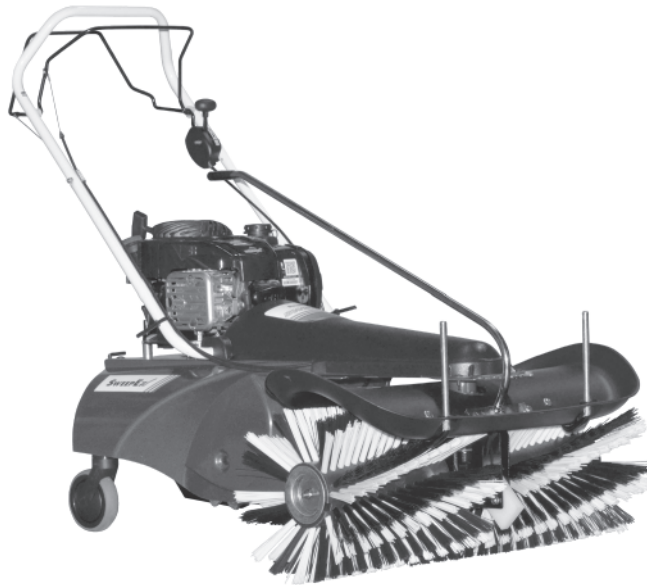
June 15, 2019  
Lit. No. 72357, Rev. 01



## Rotary Broom

**SWB-320**

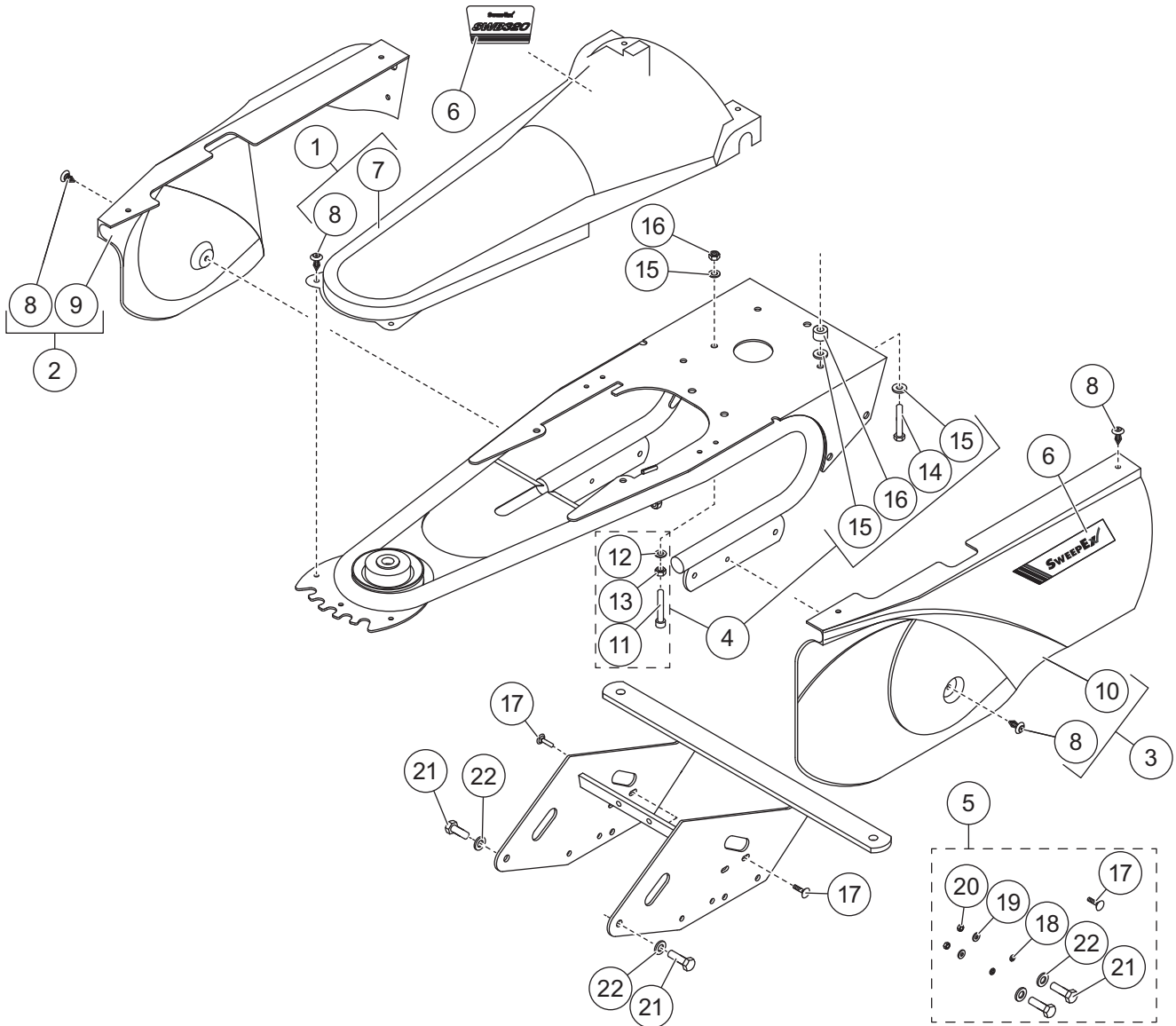
### Parts List



This manual is for SweepEx® SWB-320 rotary brooms with serial numbers beginning with 170301 and higher.

# SWB-320 ROTARY BROOM

## FRAME AND COVER COMPONENTS



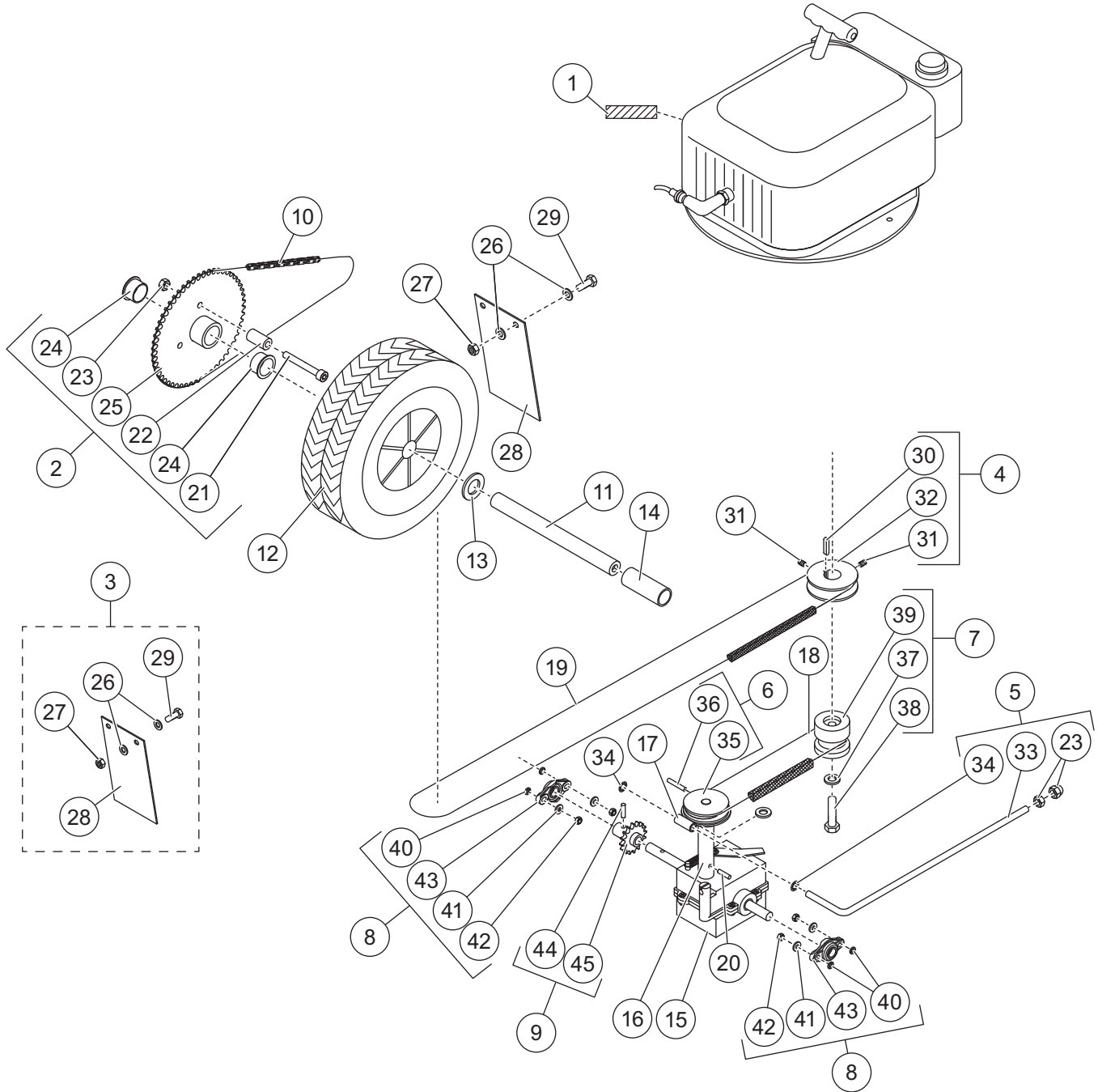
## SWB-320 ROTARY BROOM

<b>Frame and Cover Components</b>							
<b>Item</b>	<b>Part</b>	<b>Qty</b>	<b>Description</b>	<b>Item</b>	<b>Part</b>	<b>Qty</b>	<b>Description</b>
1	76921	1	Belt Cover Kit	4	76924	1	Motor Mount Kit
2	76922	1	Drive Cover Kit, Right	5	76928	1	Drive Wheel Frame Kit
3	76923	1	Drive Cover Kit, Left	6	77209	1	Label Set – SWB-320
<b>Item 1</b>				<b>76921 Belt Cover Kit</b>			
	7	1	Cover		8	2	Rivet
<b>Item 2</b>				<b>76922 Drive Cover Kit, Right</b>			
	8	2	Rivet		9	1	Side Cover, Right
<b>Item 3</b>				<b>76923 Drive Cover Kit, Left</b>			
	8	2	Rivet		10	1	Side Cover, Left
<b>Item 4</b>				<b>76924 Motor Mount Kit</b>			
	11	1	M8 x 50 Allen Screw		14	1	M8 x 55 Hex Cap Screw
	12	5	Washer		15	2	Ø 8.4 Washer
	13	3	M8 Hex Locknut		16	1	Spacer Tube
<b>Item 5</b>				<b>76928 Drive Wheel Frame Kit</b>			
	17	2	M5 x 20 Cut Head Cap Screw		20	2	M5 Locknut
	18	2	Serrated Lock Washer		21	2	M10 x 20 Hex Cap Screw
	19	2	Ø 5.3 Washer		22	2	B10.5 Washer
M = Metric							

# SWB-320 ROTARY BROOM

## MOTOR AND DRIVE COMPONENTS

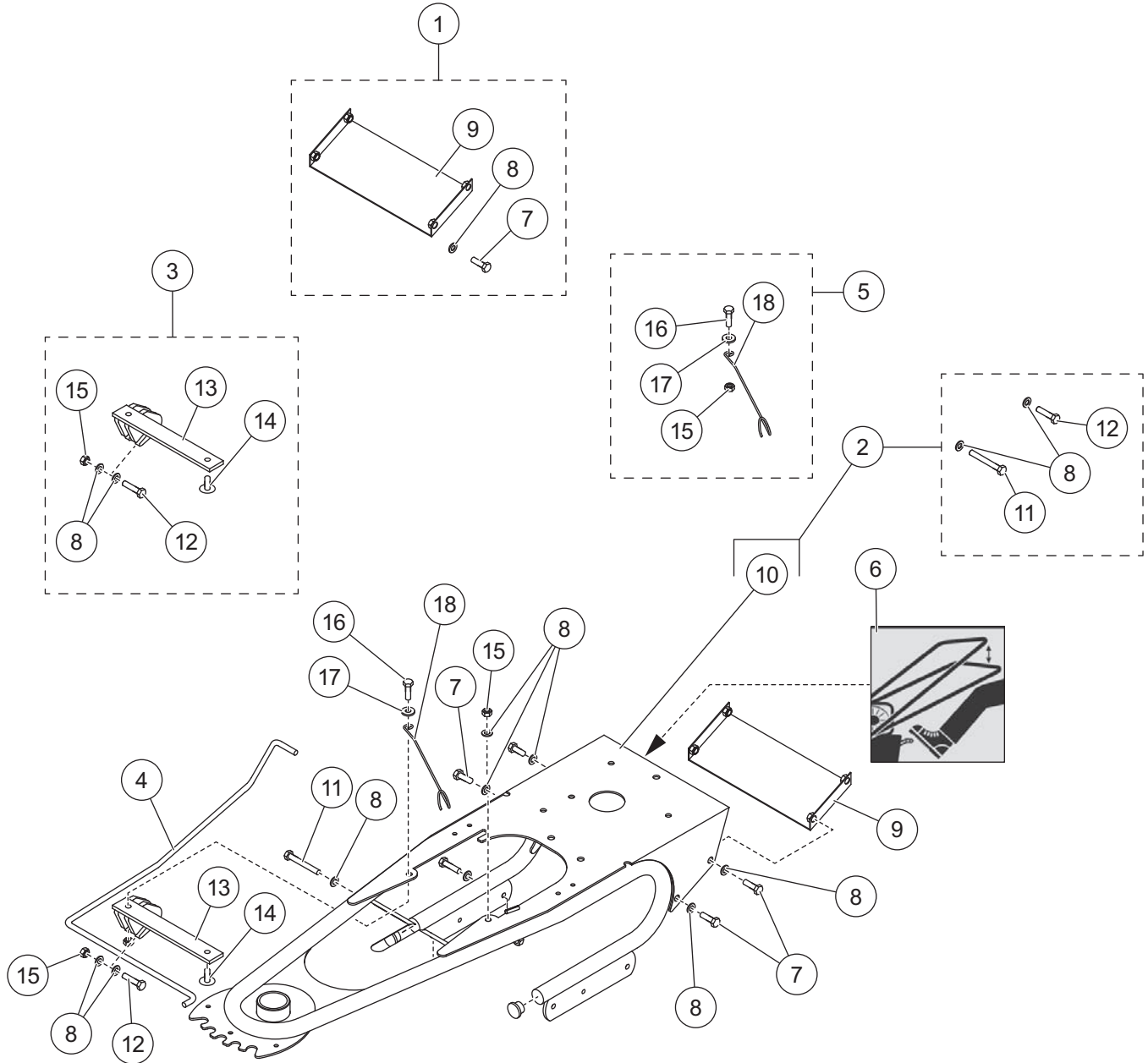
Contact a Briggs & Stratton® dealer for parts and service on the motor.





# SWB-320 ROTARY BROOM

## UPPER FRAME COMPONENTS

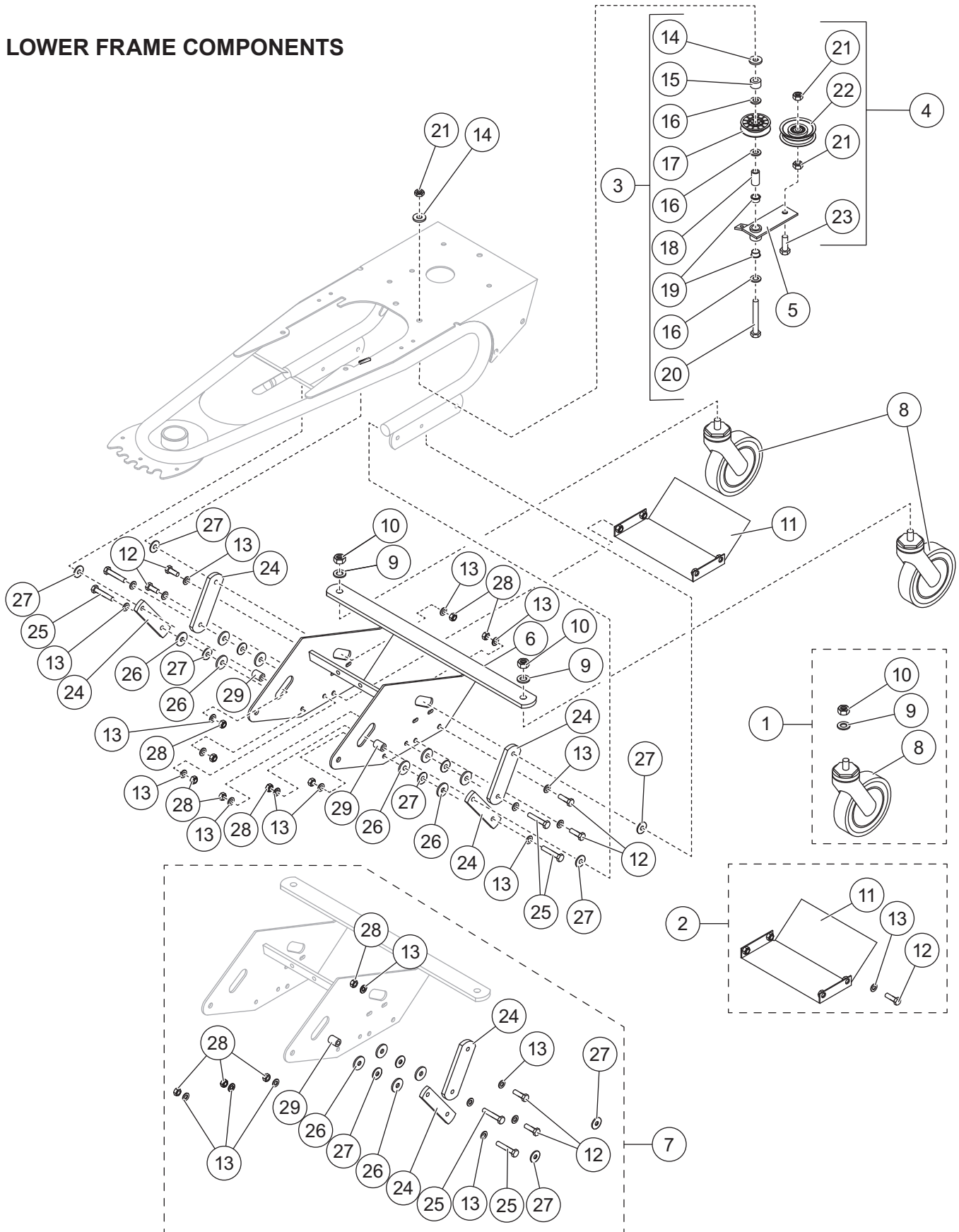


## SWB-320 ROTARY BROOM

<b>Upper Frame Assembly</b>							
<b>Item</b>	<b>Part</b>	<b>Qty</b>	<b>Description</b>	<b>Item</b>	<b>Part</b>	<b>Qty</b>	<b>Description</b>
1	76937	1	Upper Drive Cover Kit	4	76940	1	Adjusting Lever, SWB-320
2	76938	1	Main Drive Frame Kit	5	76941	1	Spring Kit
3	76939	1	Bracket Kit	6	77239	1	Label – Handlebar Height
<b>Item 1</b>				<b>76937 Upper Drive Cover Kit</b>			
7		4	M8 x 16 Hex Cap Screw	9		1	Cover, Upper Drive
8		4	B8.4 Washer				
<b>Item 2</b>				<b>76938 Main Drive Frame Kit</b>			
8		4	B8.4 Washer	11		2	M8 x 50 Hex Cap Screw
10		1	Sweeper Frame	12		2	M8 x 30 Cut Head Cap Screw
<b>Item 3</b>				<b>76939 Bracket Kit</b>			
8		2	B8.4 Washer	14		1	M8 x 16 Cut Head Cap Screw
12		1	M8 x 30 Cut Head Cap Screw	15		2	M8 Hex Nut
13		1	Guide				
<b>Item 5</b>				<b>76941 Spring Kit</b>			
15		2	M8 Hex Nut	17		1	Ø 8.4 Washer
16		1	M8 x 20 Hex Cap Screw	18		1	Guide
M = Metric							

# SWB-320 ROTARY BROOM

## LOWER FRAME COMPONENTS





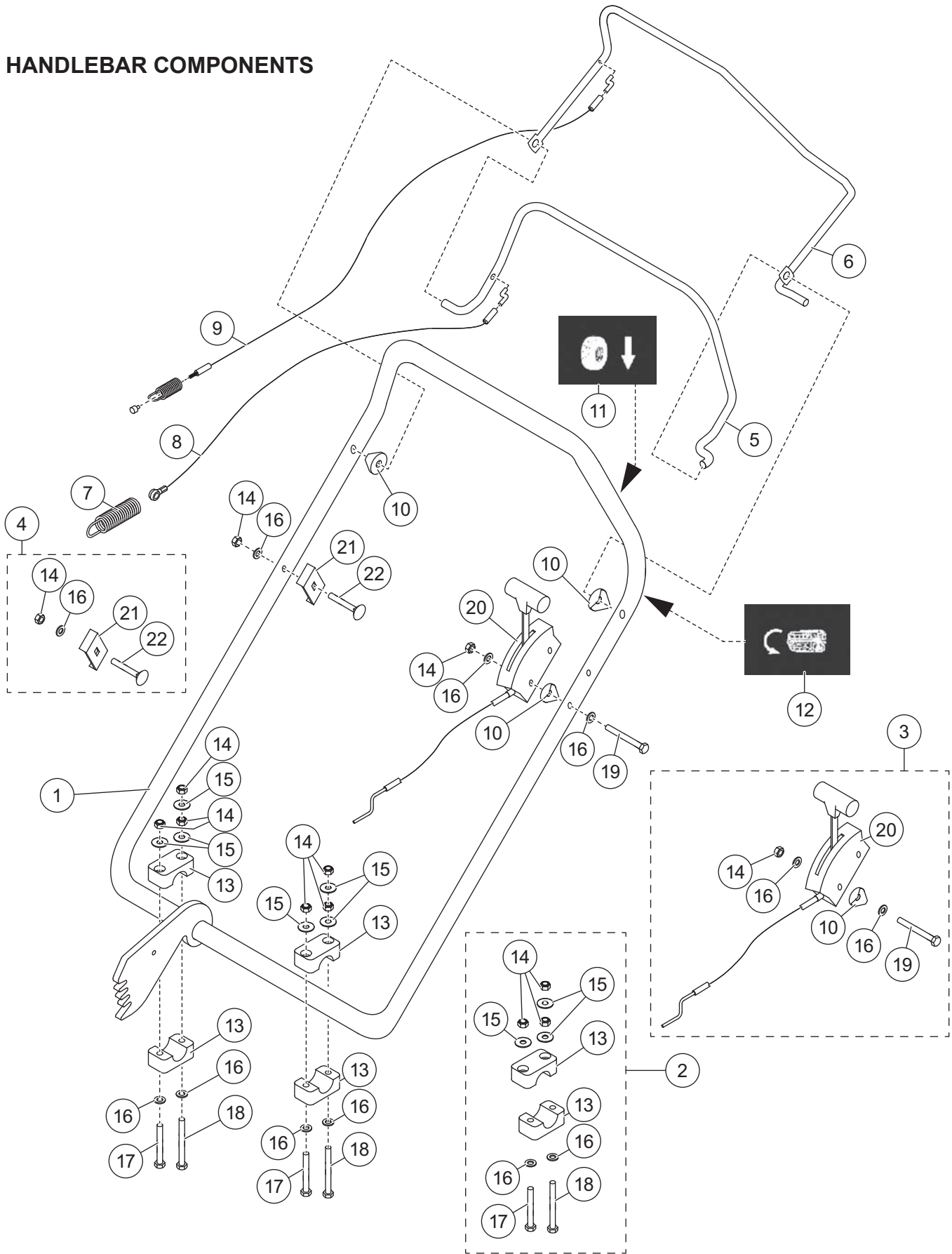






# SWB-320 ROTARY BROOM

## HANDLEBAR COMPONENTS





# SWB-320 ROTARY BROOM

---



TrynEx International, LLC  
531 Ajax Drive  
Madison Heights, MI 48071-2429  
[www.sweepexproducts.com](http://www.sweepexproducts.com)

 A DIVISION OF DOUGLAS DYNAMICS, LLC

Copyright © 2019 Douglas Dynamics, LLC. All rights reserved. This material may not be reproduced or copied, in whole or in part, in any printed, mechanical, electronic, film, or other distribution and storage media, without the written consent of TrynEx International, LLC. Authorization to photocopy items for internal or personal use by TrynEx International outlets or rotary broom owner is granted.

TrynEx International reserves the right under its product improvement policy to change construction or design details and furnish equipment when so altered without reference to illustrations or specifications used. TrynEx International may require or recommend optional equipment for rotary brooms. TrynEx International offers a limited warranty for all rotary brooms and accessories. See separately printed page for this important information. The following is a registered (®) trademark of Douglas Dynamics, LLC: SweepEx®.

**Printed in U.S.A.**