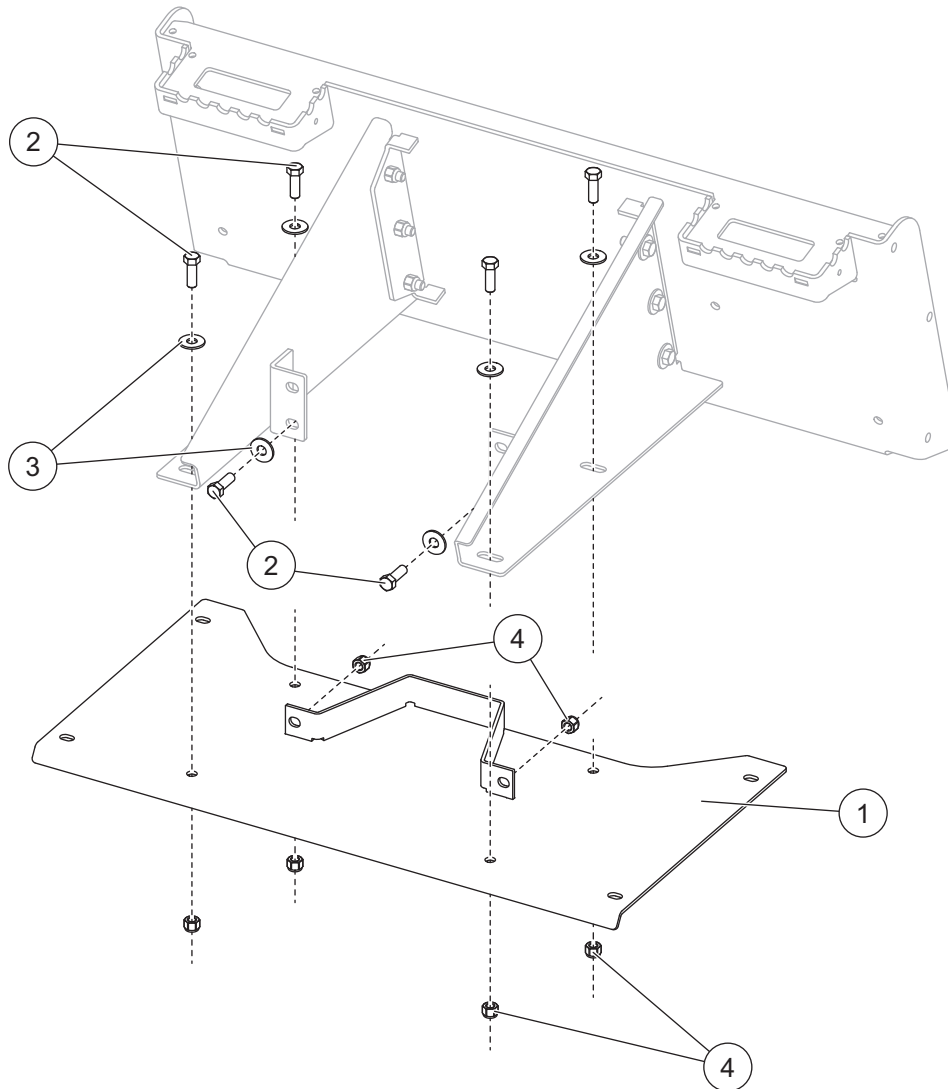


# SSH Mega Broom Adapter

## PARTS LIST



75105 SSH Mega Broom Adapter							
Item	Part	Qty	Description	Item	Part	Qty	Description
1	75103	1	Adapter Assembly	ns	75104	1	Bolt Bag
75104 Bolt Bag							
2		6	1/2-13 x 1-1/2 Hex Cap Screw G5	4		6	1/2-13 Hex Locknut GB
3		6	1/2 Flat Washer Type A Wide				
ns = not shown				G = Grade			

Copyright © 2017 Douglas Dynamics, LLC. All rights reserved. This material may not be reproduced or copied, in whole or in part, in any printed, mechanical, electronic, film or other distribution and storage media, without the written consent of the company. Authorization to photocopy items for internal or personal use by the company's outlets or snowplow owner is granted.

The company reserves the right under its product improvement policy to change construction or design details and furnish equipment when so altered without reference to illustrations or specifications used. This equipment manufacturer or the vehicle manufacturer may require or recommend optional equipment for snow removal. Do not exceed vehicle ratings with a snowplow. The company offers a limited warranty for all snowplows and accessories. See separately printed page for this important information.

**Printed in U.S.A.**

---