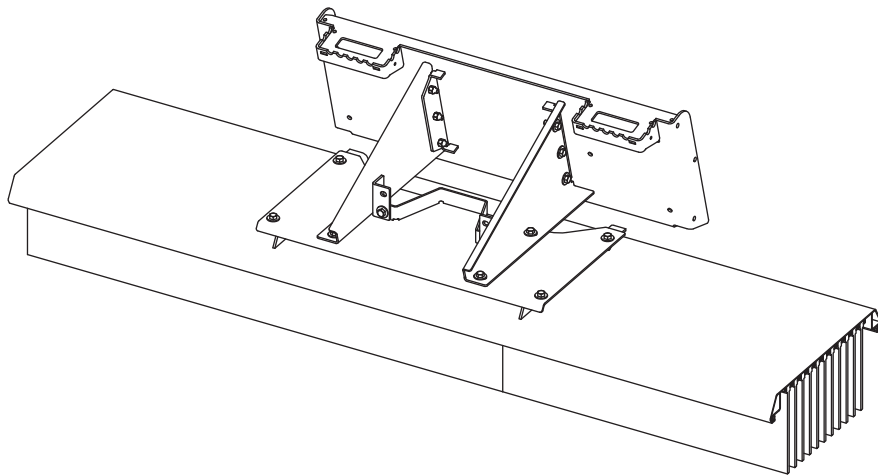


# SSH Mega Broom Adapter

## 75105

### Installation Instructions



**⚠ CAUTION**

Read Owner's Manual before operating or servicing broom.

# SAFETY

---

## SAFETY DEFINITIONS

### **WARNING**

Indicates a potentially hazardous situation that, if not avoided, could result in death or serious personal injury.

### **CAUTION**

Indicates a potentially hazardous situation that, if not avoided, may result in minor to moderate injury. It may also be used to alert against unsafe practices.

**NOTE:** Indicates a situation or action that can lead to damage to your broom and vehicle or other property. Other useful information can also be described.

---

## SAFETY PRECAUTIONS

Park the vehicle on a level surface, place shift lever in PARK or NEUTRAL, and set the parking brake. Turn OFF the engine and remove keys.

### **WARNING**

- Before working with the broom, secure all loose-fitting clothing and unrestrained hair.
- Before operating the broom, verify that all safety guards are in place.
- Do not ride on broom.

### **WARNING**

Overloading could result in an accident or damage. Do not exceed vehicle weight ratings.

### **CAUTION**

- Do not operate a broom in need of maintenance.
- Before operating the broom, reassemble any parts or hardware removed for cleaning or adjusting.
- Before operating the broom, remove materials such as cleaning rags, brushes, and hand tools from the broom.
- Tighten all fasteners according to the Torque Chart. Refer to Torque Chart for the recommended torque values.

### **CAUTION**

Disconnect electric and/or hydraulic power and tag out if required before servicing or performing maintenance.

# SAFETY

---

## PERSONAL SAFETY

- Remove ignition key and put the vehicle in PARK or in gear to prevent others from starting the vehicle during installation or service.
- Wear only snug-fitting clothing while working on your vehicle or broom.
- Do not wear jewelry or a necktie, and secure long hair.
- Wear safety goggles to protect your eyes from battery acid, gasoline, dirt, and dust.
- Avoid touching hot surfaces such as the engine, radiator, hoses, and exhaust pipes.
- Always have a fire extinguisher rated BC handy, for flammable liquids and electrical fires.

## FIRE AND EXPLOSION

### **⚠ WARNING**

**Gasoline is highly flammable and gasoline vapor is explosive. Never smoke while working on vehicle. Keep all open flames away from gasoline tank and lines. Wipe up any spilled gasoline immediately.**

Be careful when using gasoline. Do not use gasoline to clean parts. Store only in approved containers away from sources of heat or flame.

## CELL PHONES

A driver's first responsibility is the safe operation of the vehicle. The most important thing you can do to prevent a crash is to avoid distractions and pay attention to the road. Wait until it is safe to operate Mobile Communication Equipment such as cell phones, text messaging devices, pagers, or two-way radios.

## VENTILATION

### **⚠ WARNING**

**Vehicle exhaust contains lethal fumes. Breathing these fumes, even in low concentrations, can cause death. Never operate a vehicle in an enclosed area without venting exhaust to the outside.**

## BATTERY SAFETY

### **⚠ CAUTION**

**Batteries normally produce explosive gases, which can cause personal injury. Therefore, do not allow flames, sparks, or lit tobacco to come near battery. When charging or working near a battery, always cover your face and protect your eyes, and also provide ventilation.**

- **Batteries contain sulfuric acid, which burns skin, eyes, and clothing.**
- **Disconnect the battery before removing or replacing any electrical components.**

## NOISE

Airborne noise emission during use is below 70 dB(A) for the broom operator.

## VIBRATION

Operating snowplow vibration does not exceed 2.5 m/s<sup>2</sup> to the hand-arm or 0.5 m/s<sup>2</sup> to the whole body.

# SAFETY & WEIGHT/LOADING RESTRICTIONS

## TORQUE CHART

### ⚠ CAUTION

Read instructions before assembling. Fasteners should be finger tight until instructed to tighten according to torque chart. Use standard methods and practices when attaching broom, including proper personal protective safety equipment.





These instructions cover vehicles recommended for carrying the broom. Please see your sales outlet for proper vehicle applications.

### ⚠ WARNING





Overloading could result in an accident or damage. Do not exceed vehicle weight ratings.

### Recommended Fastener Torque Chart

#### Inch Fasteners Grade 5 and Grade 8

Size	Torque (ft-lb)		Size	Torque (ft-lb)	
	 Grade 5	 Grade 8		 Grade 5	 Grade 8
1/4-20	8.4	11.9	9/16-12	109	154
1/4-28	9.7	13.7	9/16-18	121	171
5/16-18	17.4	24.6	5/8-11	150	212
5/16-24	19.2	27.3	5/8-18	170	240
3/8-16	30.8	43.6	3/4-10	269	376
3/8-24	35.0	49.4	3/4-16	297	420
7/16-14	49.4	69.8	7/8-9	429	606
7/16-20	55.2	77.9	7/8-14	474	669
1/2-13	75.3	106.4	1-8	644	909
1/2-20	85.0	120.0	1-12	704	995

#### Metric Fasteners Class 8.8 and 10.9

Size	Torque (ft-lb)		Size	Torque (ft-lb)	
	 Class 8.8	 Class 10.9		 Class 8.8	 Class 10.9
M6 x 1.00	7.7	11.1	M20 x 2.50	325	450
M8 x 1.25	19.5	26.9	M22 x 2.50	428	613
M10 x 1.50	38.5	53.3	M24 x 3.00	562	778
M12 x 1.75	67	93	M27 x 3.00	796	1139
M14 x 2.00	107	148	M30 x 3.50	1117	1545
M16 x 2.00	167	231	M33 x 3.50	1468	2101
M18 x 2.50	222	318	M36 x 4.00	1952	2701

These torque values apply to fasteners except those noted in the instructions.

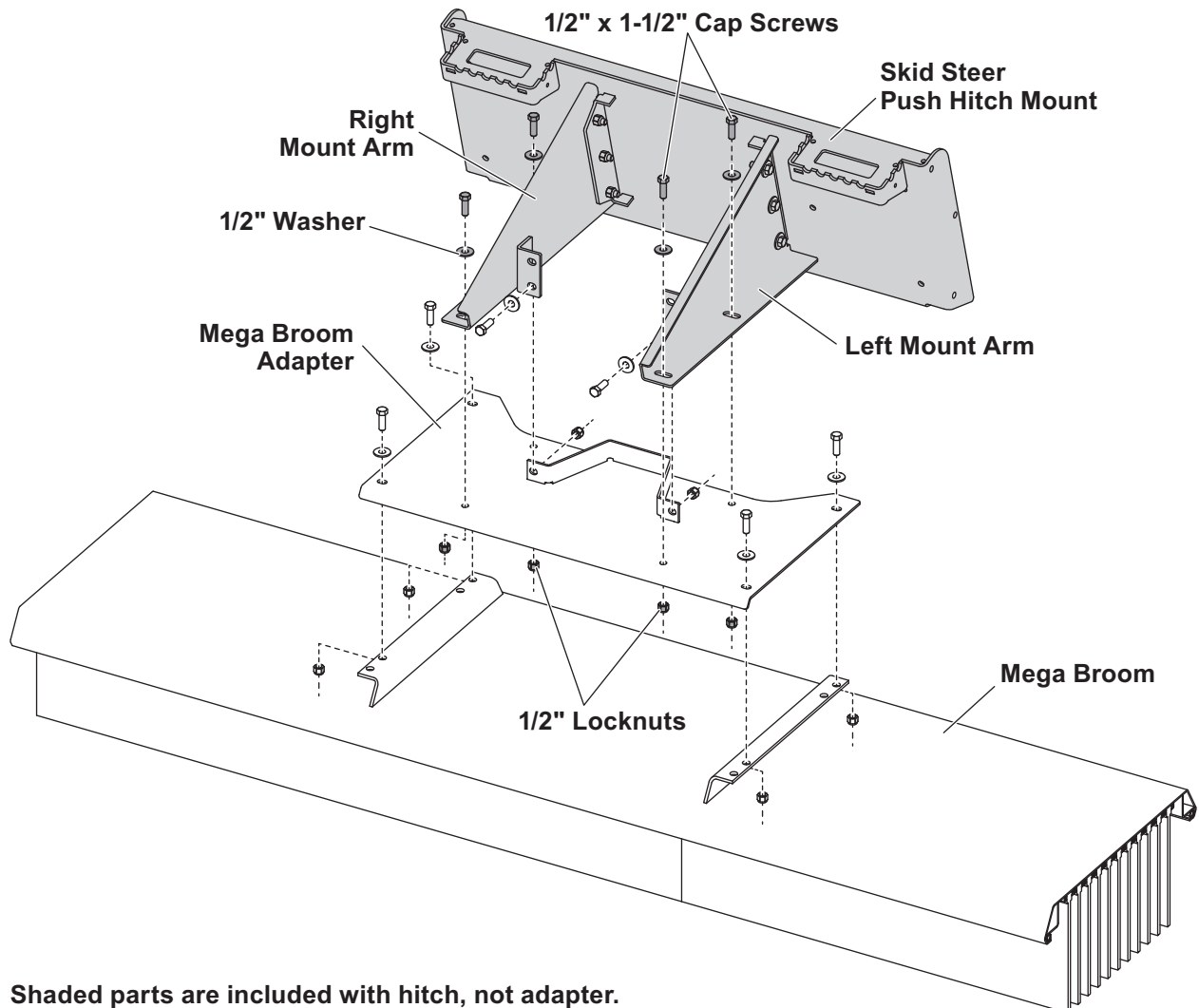
# MOUNT INSTALLATION

## INSTALLATION INSTRUCTIONS

**NOTE:** This hitch/mount has been designed to be as universal as possible in regard to fitting a wide variety of skid steer-type machines. As with any attachment, practice safe usage and care when installing and operating this equipment. Refer to the skid steer owner's manual for all warning and safety precautions before using. If you have any questions or concerns before using, contact your local dealer for further information.

## SSH Mega Broom Adapter Installation

1. Place and line up the mega broom adapter to the broom.
2. Loosely tighten the four fasteners on the adapter to the broom.
3. Place and support the SSH-175-1 Skid Steer Push Hitch Mount on the mega broom adapter, aligning all slots and holes.
4. Loosely tighten all fasteners, including the adapter flange, to the mount arm angles.
5. Once centered, tighten all fasteners according to the torque chart.
6. Refer to the mega broom and skid steer mount owner's manuals for operating instructions.



---

Copyright © 2019 Douglas Dynamics, LLC. All rights reserved. This material may not be reproduced or copied, in whole or in part, in any printed, mechanical, electronic, film or other distribution and storage media, without the written consent of TrynEx International, LLC. Authorization to photocopy items for internal or personal use by TrynEx International outlets or broom owner is granted.

TrynEx International reserves the right under its product improvement policy to change construction or design details and furnish equipment when so altered without reference to illustrations or specifications used. TrynEx International or the vehicle manufacturer may require or recommend optional equipment for brooms. Do not exceed vehicle ratings with a broom. TrynEx International offers a limited warranty for all brooms and accessories. See separately printed page for this important information.

**Printed in U.S.A.**